

High-pressure booster pumps



(Single-phase
ODP models only)

The MGP/MGPS Booster Pumps are the most durable booster pump available. The patented SignaSeal™ floating impeller design minimizes thrust loads allowing for continuous operation without damage to motor bearings, mechanical seal or pump hydraulic components.

APPLICATIONS

- Residential, commercial or agricultural pressure washing
- Booster and spray systems
- Filtration and reverse osmosis
- HVAC
- General purpose pumping

SPECIFICATIONS

Max. Inlet Pressure – 80 PSI
 Max. Working Pressure – 315 PSI
 Max. Suction Lift – 15 feet
 Max. Liquid Temperature Limits – Prolonged use with liquids above 140° F is not recommended.
 Discharge –
 MGP Series: cast iron
 MGPS Series: stainless steel
 Motor Adapter and Base –
 MGP Series: cast iron
 MGPS Series: stainless steel
 Shell – Stainless steel 304 grade
 Impeller – Acetal
 Diffuser – Polycarbonate
 Shaft – Stainless steel 304 grade
 O-Rings – Buna-N
 Mechanical Seal – Carbon/ceramic, Buna-N

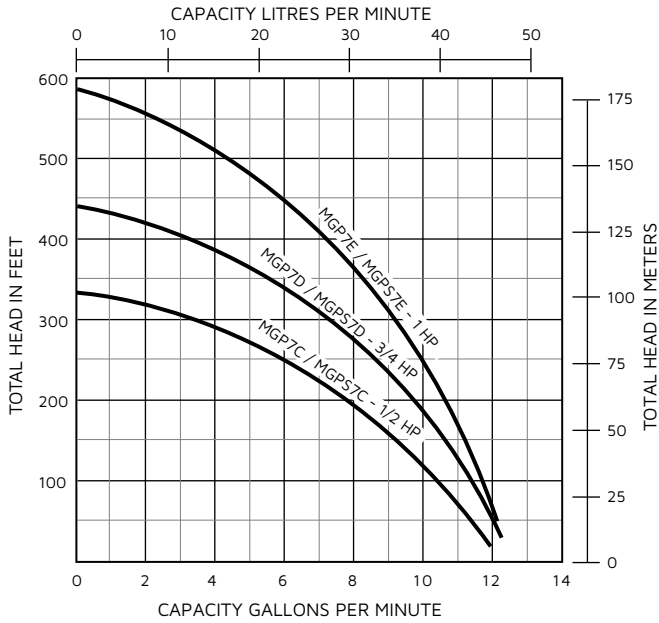
MGP/MGPS SERIES

FEATURES

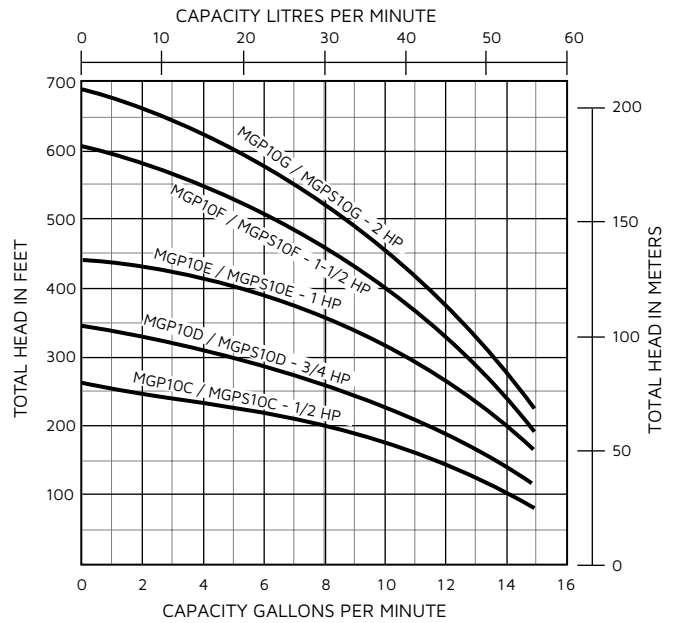
Patented Multi-Stage Design – Abrasion and dry-run resistant
 Acetal Impellers – Precisionmolded for perfect balance... ultrasmooth for highest performance and efficiency.
 Precision Molded Diffusers – Superior performance with high resistance to corrosion and abrasion
 Mechanical Shaft Seal – Precision lapped and highly polished carbonceramic, stainless steel construction.
 Internal design guarantees continuous water lubrication.
 Motor Windings – Superior insulation materials protect against excessive moisture and contaminants... assure prolonged motor life
 Balanced Rotor – Die cast under high pressures for uniform performance and greater efficiency; dynamically balanced
 Heavy-duty Ball Bearings – Shielded, permanently lubricated bearings, extensively tested to ensure extended life and smooth, quiet operation.
 Pump and Motor Shaft – Stainless steel for maximum corrosion resistance; one-piece threaded shaft for positive impeller drive
 Dustproof Cover – All electrical components are protected from dirt, dust and insects by a dustproof canopy; ventilating air cannot contaminate.

High-pressure booster pumps

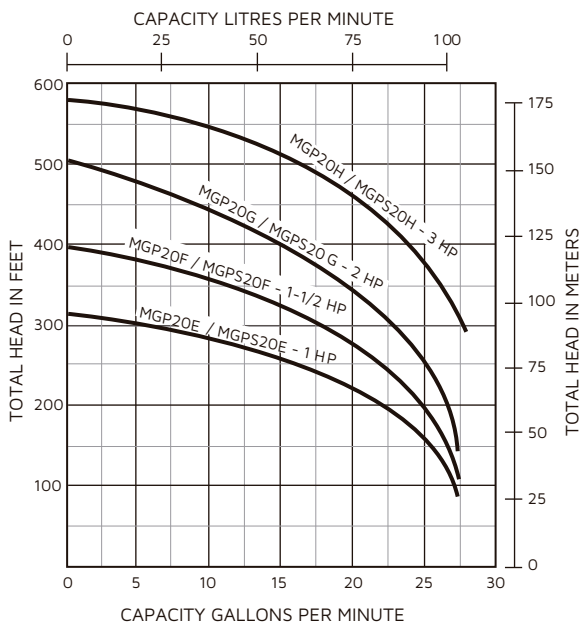
PUMP PERFORMANCE – 7 GPM



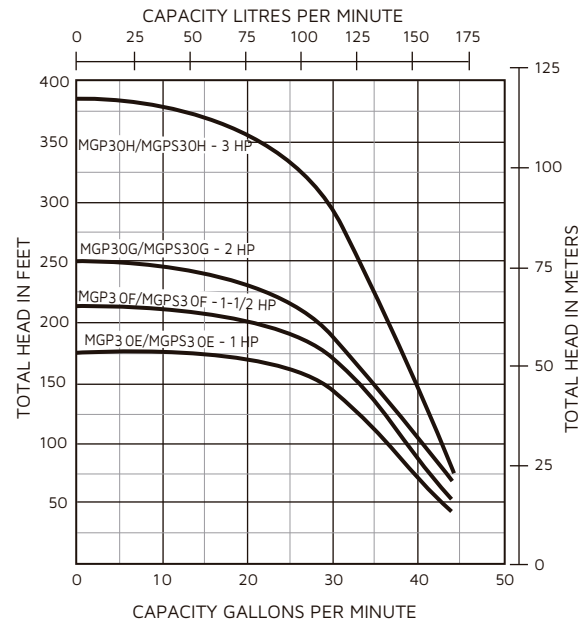
PUMP PERFORMANCE – 10 GPM



PUMP PERFORMANCE – 20 GPM



PUMP PERFORMANCE – 30 GPM



High-pressure booster pumps

ORDERING INFORMATION

Catalog Number		GPM	HP	Phase	Stages	Pipe Tapping Sizes		Motor Voltage	Shipping Wt. (lbs.)
Cast Iron	Stainless Steel					Inlet	Outlet		
MGP7C	MGPS7C	7	1/2	1	9	3/4"	3/4"	115/230	42
MGP7C3	MGPS7C3		1/2	3	9	3/4"	3/4"	208-230/460	42
MGP7D	MGPS7D		3/4	1	12	3/4"	3/4"	115/230	48
MGP7D3	MGPS7D3		3/4	3	12	3/4"	3/4"	208-230/460	48
MGP7E	MGPS7E		1	1	16	3/4"	3/4"	115/230	59
MGP7E3	MGPS7E3		1	3	16	3/4"	3/4"	208-230/460	59
MGP10C	MGPS10C	10	1/2	1	6	3/4"	3/4"	115/230	40
MGP10C3	MGPS10C3		1/2	3	6	3/4"	3/4"	208-230/460	40
MGP10D	MGPS10D		3/4	1	8	3/4"	3/4"	115/230	46
MGP10D3	MGPS10D3		3/4	3	8	3/4"	3/4"	208-230/460	46
MGP10E	MGPS10E		1	1	10	3/4"	3/4"	115/230	57
MGP10E3	MGPS10E3		1	3	10	3/4"	3/4"	208-230/460	57
MGP10F	MGPS10F		1-1/2	1	14	3/4"	3/4"	230	71
MGP10F3	MGPS10F3		1-1/2	3	14	3/4"	3/4"	208-230/460	71
MGP10G	MGPS10G		2	1	16	3/4"	3/4"	230	79
MGP10G3	MGPS10G3		2	3	16	3/4"	3/4"	208-230/460	79
MGP20E	MGPS20E	20	1	1	7	1"	1"	115/230	55
MGP20E3	MGPS20E3		1	3	7	1"	1"	208-230/460	55
MGP20F	MGPS20F		1-1/2	1	9	1"	1"	230	68
MGP20F3	MGPS20F3		1-1/2	3	9	1"	1"	208-230/460	68
MGP20G	MGPS20G		2	1	11	1"	1"	230	74
MGP20G3	MGPS20G3		2	3	11	1"	1"	208-230/460	74
MGP20H	MGPS20H	30	3	1	15	1"	1"	208-230	59
MGP20H3	MGPS20H3		3	3	15	1"	1"	200-230/460	55
MGP30E	MGPS30E		1	1	5	1-1/4"	1-1/4"	115/230	47
MGP30E3	MGPS30E3		1	3	5	1-1/4"	1-1/4"	208-230/460	44
MGP30F	MGPS30F		1-1/2	1	6	1-1/4"	1-1/4"	115/230*	54
MGP30F3	MGPS30F3		1-1/2	3	6	1-1/4"	1-1/4"	208-230/460	49
MGP30G	MGPS30G	30	2	1	7	1-1/4"	1-1/4"	115/230*	57
MGP30G3	MGPS30G3		2	3	7	1-1/4"	1-1/4"	208-230/460	53
MGP30H	MGPS30H		3	1	11	1-1/4"	1-1/4"	208-230	59
MGP30H3	MGPS30H3		3	3	11	1-1/4"	1-1/4"	200-230/460	55

NOTE: ODP motor is standard, for TEFC motors, contact Customer Service.

ORDERING INFORMATION

ACCESSORIES

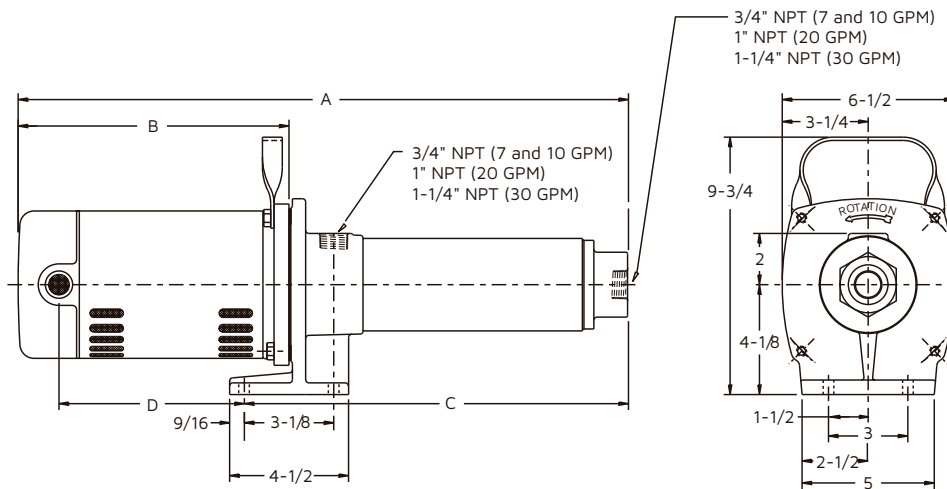
Pkg. No.	Description	Approx. Wt. Lbs.
SUCTION		
83	Suction hose - 3/4" 150 PSI hose, 6 ft. section with two (2) female hose fittings	3
85	Two (2) garden hose/NPT adapters - 3/4" NPT male to 3/4" garden hose male	3
96	Vacuum relief valve - 1/2" NPT	2
150 PSI RATED* DISCHARGE		
84	Discharge hose - 3/4" 150 PSI hose, 25 ft. section with male and female garden hose fittings	10
86	High pressure pistol grip nozzle with three (3) nozzles (No. 56, 50 and 49)	2
315 PSI RATED* DISCHARGE		
162	25' of 1" ID hose with 3/4" male and female hose fittings 315 PSI rating	15
194	High pressure pistol grip nozzle with three (3) nozzles (No. 56, 50 and 49) rated for 500 PSI	2

*To select proper discharge accessories for your pump, add incoming pressure to pump output pressure, to determine total discharge pressure.

Example: Incoming pressure 20 PSI + pump output pressure (MGP7C at 0 GPM, 300')
87 PSI = Total 150 PSI at discharge = 150 PSI rated discharge accessories

High-pressure booster pumps

OUTLINE DIMENSIONS



DIMENSIONS IN INCHES

CAST IRON

Catalog Number	HP	A	B	C	D
MGP7C	1/2	24.28	10.38	15.76	6.68
MGP7C3	1/2	26.41	9.88	18.39	6.68
MGP7D	3/4	27.41	10.88	18.39	7.69
MGP7D3	3/4	30.41	10.38	21.89	7.28
MGP7E	1	31.91	11.88	21.89	8.69
MGP7E3	1	22.15	10.88	13.13	7.68
MGP10C	1/2	22.87	11.60	13.13	8.44
MGP10C3	1/2	21.15	9.88	13.13	6.68
MGP10D	3/4	24.99	11.97	14.88	8.81
MGP10D3	3/4	25.15	10.38	16.63	7.28
MGP10E	1	27.80	13.03	16.63	9.87
MGP10E3	1	24.78	10.88	15.76	7.68
MGP10F	1-1/2	31.18	13.78	19.26	10.31
MGP10FG	1-1/2	31.91	11.88	21.89	8.69
MGP10G	2	36.44	13.78	24.52	10.62
MGP10G3	2	32.66	12.63	21.89	9.44
MGP20E	1	26.85	13.03	15.68	9.87
MGP20E3	1	26.93	10.88	17.91	7.68
MGP20F	1-1/2	29.83	13.78	17.91	10.31
MGP20F3	1-1/2	30.16	11.88	20.14	8.69
MGP20G	2	32.06	13.78	20.14	10.62
MGP20G3	2	26.53	12.63	15.76	9.44
MGP20H	3	36.80	14.05	24.47	11.12
MGP20H3	3	34.67	11.92	24.47	8.97
MGP30E	1	25.08	11.88	14.92	8.69
MGP30E3	1	24.08	10.88	14.92	7.69
MGP30F	1-1/2	27.26	12.63	16.35	9.44
MGP30F3	1-1/2	26.51	11.88	16.35	8.69
MGP30G	2	28.49	12.42	17.79	9.47
MGP30G3	2	28.70	12.63	17.79	9.44
MGP30H	3	35.86	14.05	23.53	11.12
MGP30H3	3	33.73	11.92	23.53	8.97

STAINLESS STEEL

Catalog Number	HP	A	B	C	D
MGPS7C	1/2	25.39	11.60	15.65	8.44
MGPS7C3	1/2	26.27	9.88	18.25	6.68
MGPS7D	3/4	28.36	11.97	18.25	8.81
MGPS7D3	3/4	26.77	10.38	18.25	7.28
MGPS7E	1	31.89	11.97	21.78	8.81
MGPS7E3	1	30.80	10.88	21.78	11.94
MGPS10C	1/2	22.76	11.60	13.02	8.44
MGPS10C3	1/2	22.79	9.88	14.77	6.68
MGPS10D	3/4	24.88	11.97	14.77	8.81
MGPS10D3	3/4	25.04	10.38	16.52	7.28
MGPS10E	1	27.69	13.03	16.52	9.87
MGPS10E3	1	29.05	10.88	20.03	7.68
MGPS10F	1-1/2	31.95	13.78	20.03	10.31
MGPS10F3	1-1/2	31.80	11.88	21.78	8.69
MGPS10G	2	33.70	13.78	21.78	10.62
MGPS10G3	2	27.22	12.63	16.45	9.44
MGPS20E	1	26.74	13.03	15.57	9.87
MGPS20E3	1	26.82	10.88	17.80	7.68
MGPS20F	1-1/2	29.72	13.78	17.80	10.31
MGPS20F3	1-1/2	30.05	11.88	20.03	8.69
MGPS20G	2	31.95	13.78	20.03	10.62
MGPS20G3	2	26.42	12.63	15.65	9.44
MGPS20H	3	36.80	14.05	24.47	11.12
MGPS20H3	3	34.67	11.92	24.47	8.97
MGPS30E	1	26.23	13.03	14.92	9.87
MGPS30E3	1	24.08	10.88	14.92	7.69
MGPS30F	1-1/2	28.10	13.47	16.35	10.31
MGPS30F3	1-1/2	26.51	11.88	16.35	8.69
MGPS30G	2	29.85	13.78	17.79	10.62
MGPS30G3	2	28.70	12.63	17.79	9.44
MGPS30H	3	35.86	14.05	23.53	11.12
MGPS30H3	3	33.73	11.92	23.53	8.97